

POS



PS6506

Pentium® M High Performance 15" POS Terminal

Features and Benefits:

- Pentium® M / Celeron® M high performance platform
- 15" LCD display with touch screen
- Flexible design for versatile applications
- Silent POS terminal
- Optional i-Button for user identification & security control
- Optional 802.11 b/g WLAN communication capability



No. 24, Lane 365, Yang Guang St., Nei Hu District, Taipei 114, Taiwan, R.O.C.

Tel: +886-2-8751-1111

Fax: +886-2-8751-1199

Email: sales@protech.com.tw

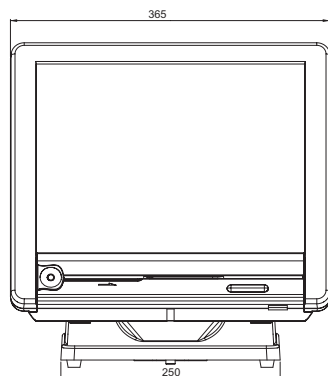
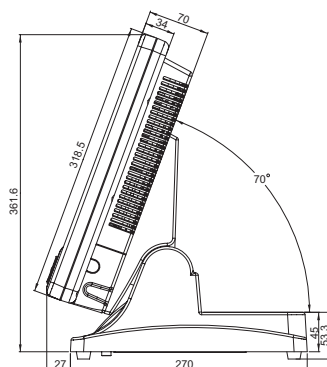
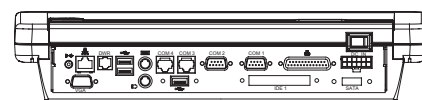
<http://www.protech.com.tw>



ISO CERTIFIED
9001 14001

PS6506

Pentium® M High Performance 15" POS Terminal

Front View

Side View

I/O View


Unit: mm

Specification
System

CPU Support	Intel® Celeron® M 1.5GHz CPU (up to Pentium® M 1.8GHz)
Memory	1 x DDR SO-DIMM Slot, 256MB DDR SDRAM (up to 1GB)
Core Logic	Intel® 855GME & ICH4 support FSB 400MHz CPU, DDR 266/333
Expansion	32-bit Mini-PCI slot x 1
Network	10/100Base-T Fast Ethernet (optional 802.11 b/g WLAN Mini-PCI module)
Audio	AC '97 Codec with internal mono speaker (2watt x 1)
Power Supply	180W ATX power supply, AC 100-240V input
System Weight	9kg
Dimension (WxHxD)	365 x 363 x 297 mm (14.37" x 14.29" x 11.69")
O.S. Compliant	Windows / 2000 / XP / XPE, WEPOS

Storage

HDD	1 x 2.5" HDD (standard 40GB)
CF	Optional bootable Compact Flash slot for CF type I/II storages

I/O Ports

USB	3 x USB 2.0 ports
Serial Ports	2 x DB-9 (COM 1 & 2), 2 x RJ45 (COM 3 & 4), +5V/12V Selectable
Parallel	1 x DB-25 parallel port (SPP /EPP / ECP)
PS/2	2 x PS/2 ports
LAN	1 x RJ-45 interface
Audio	1 x Line-out audio jack

VGA	1 x DB-15 VGA interface
Cash Drawer	1 x RJ11 port for 12V Cash Drawer

Display

LCD	15" TFT LCD
Max. Resolution	1024 x 768
Brightness	250 cd/m ²
Touch Screen	5-wire Analog resistive
Viewing Angle	0 ~ 65 degree
Display Tilt Angle	2 ~ 70 degree
Protection	Water Proof Front Panel (w/o MSR)

Environment

EMC & Safety	CE, FCC, UL
Operating Temp.	0° ~ 40°C
Storage Temp.	-20° ~ 60°C
Humidity	20% ~ 90%

Ordering Information

PS6506	15" POS terminal with Celeron-M 1.5GHz CPU, 256MB DDR SO-DIMM, 40GB HDD
VFD Customer Display / VFD Pole Display	Vacuum Fluorescent Displays, 20 columns and 2 lines, each column is 5 x 7 dots.
i-Button+MSR	Read only, output through PS/2 KB interface
MSR	JIS-II, ISO Track 1+2+3
WLAN Module	802.11 b/g Wireless LAN module
Color	Black, Beige
OS	2000/XP/XPE/WEPOS
2nd Display	12.1" LCD Display

All of trademarks and brand names are the property of their owners. Trademark "Protech" is the property of Protech Systems Co., Ltd. All information contained in this document is subject to change without any prior notice. This catalog is copyrighted in DEC. 2006