

# POS



## PS8852

Intel Celeron M /  
Pentium M CPU 15"  
POS Terminal

### Features and Benefits:

- ◆ Intel Celeron M 1.5GHz
- ◆ 15" LCD display with touch screen
- ◆ Durable and low-profile design
- ◆ Silent POS terminal (acoustic noise < 35dB)
- ◆ Easy Maintain Design for HDD, exchangeable MSR and Integrated Jump Setting
- ◆ Optional Wireless (802-11 b/g WLAN capability)
- ◆ Optional 2.5" SATA (RAIDm1: mirror data protection in one HDD function)
- ◆ Optional Pole Display of three types fabricate for one LCD and two VFDs setup
- ◆ Optional Card Reader and I-Button for user identification and security control

**WEPOS**  
**Ready**

 **PROTECH SYSTEMS**

It's the right choice

No. 24, Lane 365, Yang Guang St., Nei Hu District, Taipei 114, Taiwan, R.O.C.

Tel: +886-2-8751-1111

Fax: +886-2-8751-1199

Email: sales@protech.com.tw

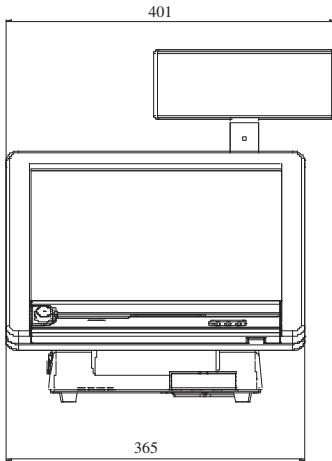
http://www.protech.com.tw



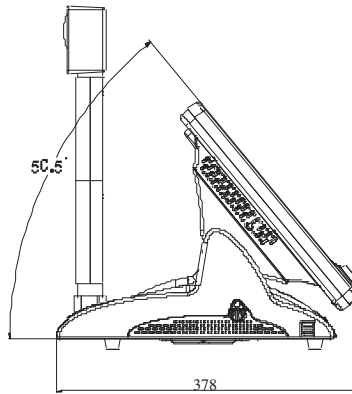
**ISO CERTIFIED**  
**9001 14001**

# PS8852

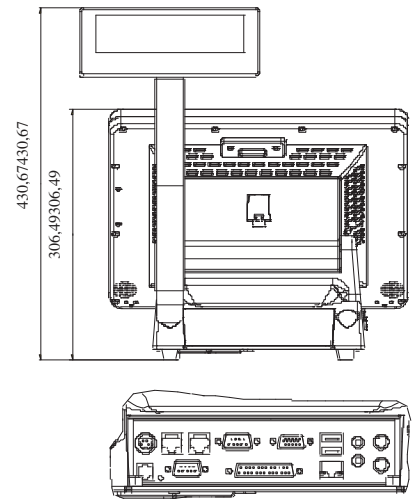
Front View



Side View



Rear View



Unit:mm

<b>System</b>	xxxx
<b>CPU</b>	Intel Celeron M 1.5 GHz (up to Pentium M 1.8GHz)
<b>Memory Support</b>	1 x DDR SO-DIMM Slot, 256MB DDR SO-DIMM (up to 1GB)
<b>Core Logic</b>	Intel 852GM + ICH4
<b>Network</b>	10/100Base-T Fast Ethernet
<b>Power Supply</b>	External 120W power adaptor
<b>System Weight</b>	8.7kg (19.2lb)
<b>Dimension (W x H x D)</b>	365 x 306 x 378 mm (14.4" x 12" x 14.9")
<b>O.S. Support</b>	Windows 98 / 2000 / XP / XPE, Linux, WEPOS

<b>Storage</b>	
<b>HDD</b>	1 x 2.5" HDD (standard 40GB)
<b>CF</b>	1 x optional Compact Flash slot for CF type I/II storages (You can install HDD or CF, not for both)

<b>I/O Ports</b>	
<b>USB</b>	4 x USB 2.0 ports (2 in Rear ; 2 in Side)
<b>Serial Ports</b>	2 x DB-9 (COM1&2), 2 x RJ45 (COM3&4), +5V/12V selectable
<b>Parallel</b>	1 x Parallel port (SPP / EPP / ECP)
<b>PS/2</b>	2 x PS/2 ports
<b>LAN</b>	1 x RJ-45 interface
<b>Audio</b>	1 x Line-out, 1 x MIC-in audio jack
<b>VGA</b>	1 x DB-15 VGA Interface
<b>Cash Drawer</b>	1 x RJ-11 Interface

<b>Display</b>	
<b>LCD</b>	15" TFT LCD
<b>Max. Resolution</b>	1024 x 768
<b>Viewing Angle</b>	0-60 degree
<b>Brightness</b>	250 cd/m <sup>2</sup>
<b>Touch Screen</b>	5-wire Analog resistive
<b>Display Tilt Angle</b>	51 degree (0-51 degree without pole display)
<b>Protection</b>	Water Proof Front Panel (Without MSR)

<b>Environment</b>	
<b>EMC &amp; Safety</b>	CE, FCC, cUL, CB
<b>Operating Temp.</b>	0 <sup>o</sup> -40 C <sup>o</sup>
<b>Storage Temp.</b>	-20 <sup>o</sup> -60 C <sup>o</sup>
<b>Humidity</b>	20%-90%

<b>Ordering Information</b>	
<b>PS8852</b>	15" POS terminal with Intel ULV Celeron-M 1GHz, 256MB DDR memory, 40GB HDD
<b>LCD Customer Display</b>	180mm height LCD Pole Display 120mm height LCD Pole Display
<b>VFD customer Display</b>	Vacuum Fluorescent Displays,
<b>(Integrated or Stand alone type)</b>	20 columns and 2 lines, each column is 5 x 7 dots
<b>MSR1</b>	JIS-I, ISO Track 1+2+3
<b>MSR2</b>	JIS-II, ISO Track 1+2
<b>i-Button</b>	Read only, output through PS/2 KB interface
<b>CF Card Adaptor</b>	CF socket for Type I/II storages (either/or option with HDD)
<b>Color</b>	Black or Beige
<b>OS</b>	Win98 / 2000 / XP / XPE / WEPOS / Linux

All of trademarks and brand names are the property of their owners. Trademark "Protech" is the property of Protech Systems Co., Ltd. All information contained in this document is subject to change without any prior notice. This catalog is copyrighted in DEC. 2006